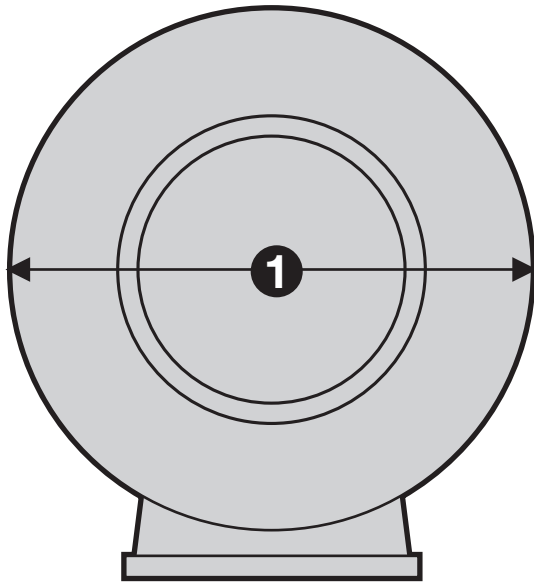


HOW TO MEASURE FOR AN INDUCTION BLOWER/COMPRESSOR BLANKET



FRONT

On a rear induction blower, the fan housing is usually the same width around its entire circumference. Therefore only two measurements are needed:

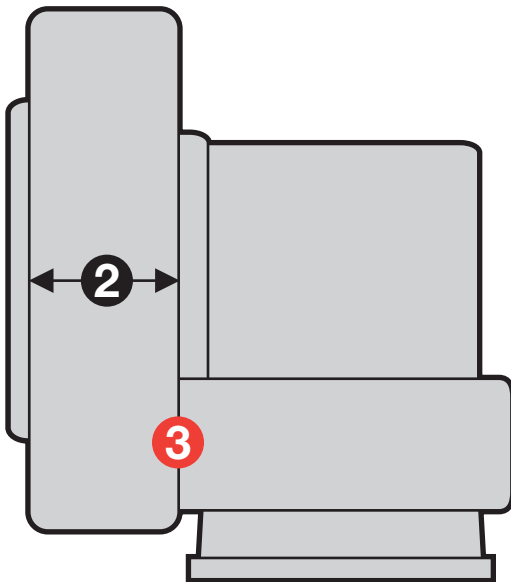
1. Measure the diameter of the face or front of the blower housing. _____

2. Measure the width of the housing. _____

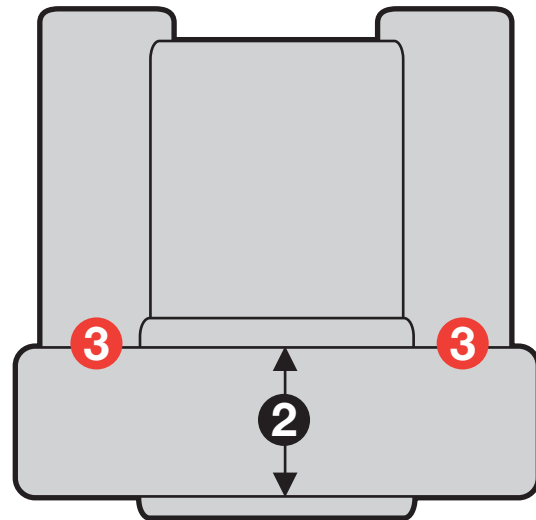
Strap Material _____

Blanket Material _____

3. NOTE: position and perimeter measurement of the inlet ports where they join the fan housing.



SIDE



TOP